



790 Specification

1. PRODUCT NAME:

Led Display 790

2. ELECTRONICAL SPECIFICATIONS:

24V-36V-48V

10mA nominal current

30mA maximum current

> 1 mA dispersion

3. SIZES:

Height: 42mm

Length: 82mm

Width: 18mm

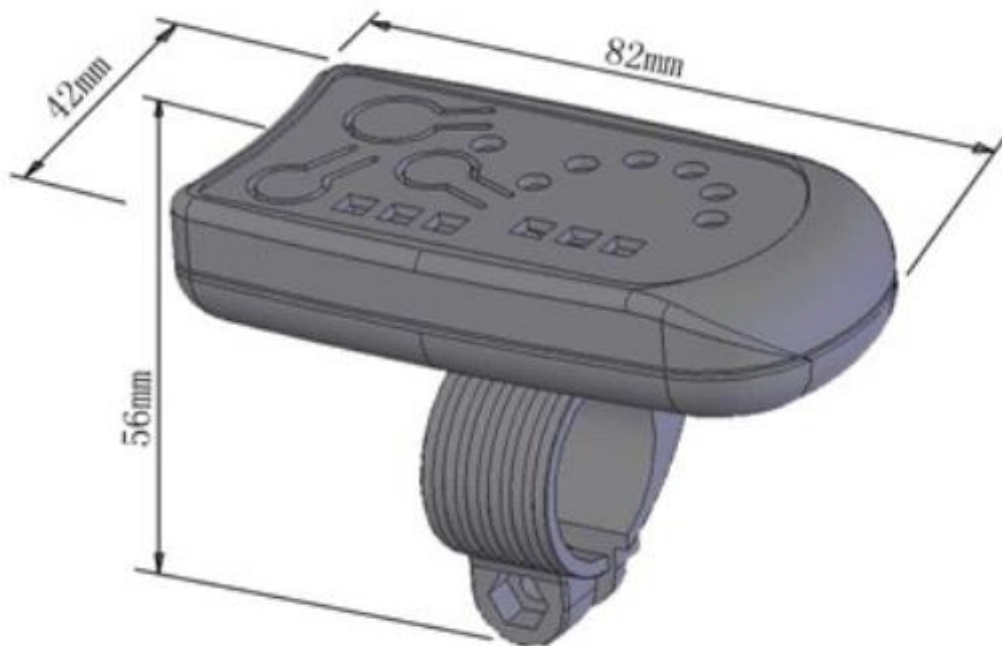


FIGURE 1

4. FEATURES

- User-friendly design and ergonomic touchpad
 - Residual battery charge indicator
 - Walking Assisted Mode (6km/h)
 - 5 speed levels
-

5. LED INSTRUCTIONS AND FUNCTIONS:

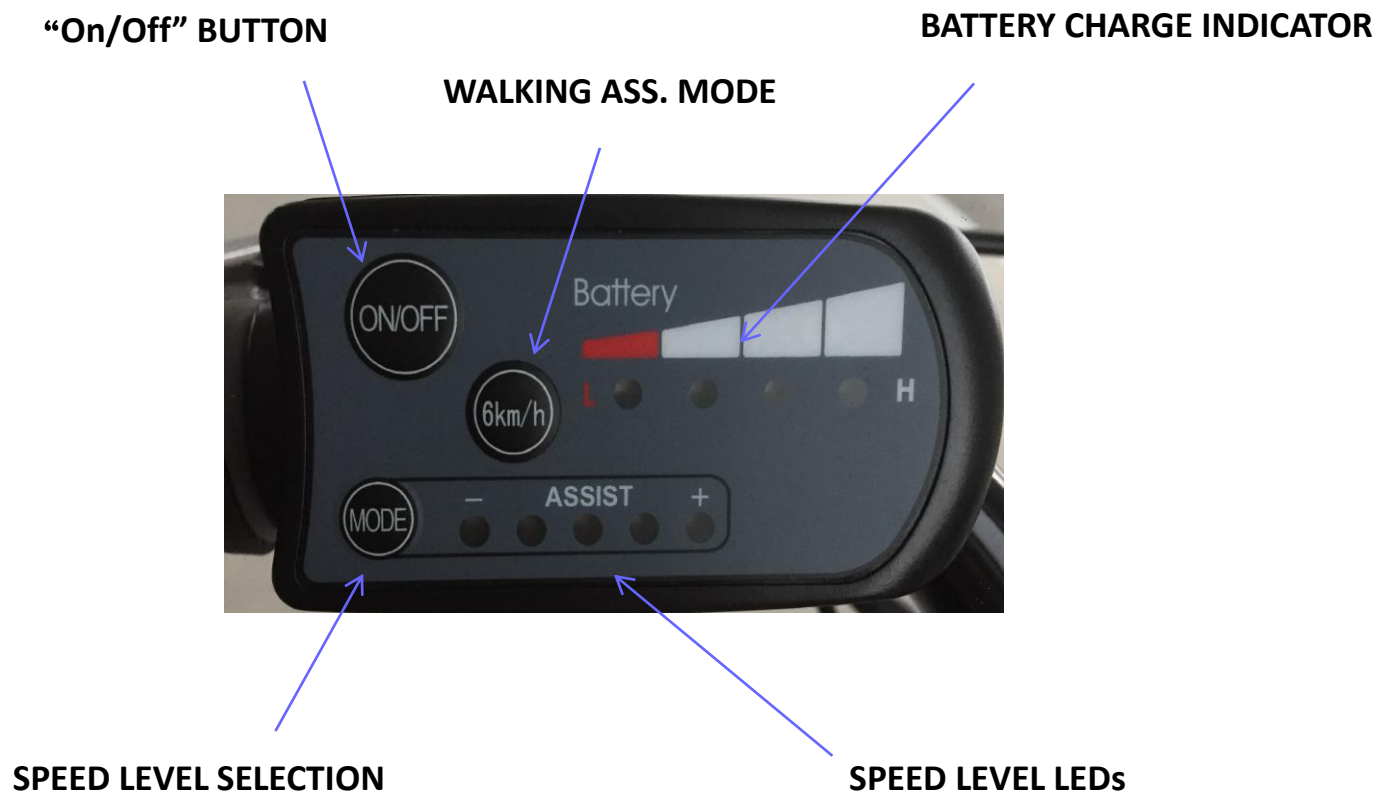


FIGURE 2

TURN ON – TURN OFF

Press the “**On/Off**” button to turn on/off display and controller. If not used, the display will turn off automatically after 5 minutes.

SPEED LEVEL SELECTION

Press the “**Mode**” button to select the speed level. Speed levels go from 1 (minimum level) to 5 (maximum level).

WALKING ASSISTED MODE

Press and hold the “**6km/h**” button to activate the Walking Assisted Mode. This mode helps the user to push the e-bike by foot up to a maximum of 6km/h.

BATTERY CHARGE INDICATOR

Residual battery charge is shown by 4 LEDs. Immediately recharge the battery if no LED is working.

6. MALFUNCTIONS

If speed level or residual battery charge’ LEDs are working differently as described in this User Manual or in case of malfunctions, please contact immediately the Technical Support.